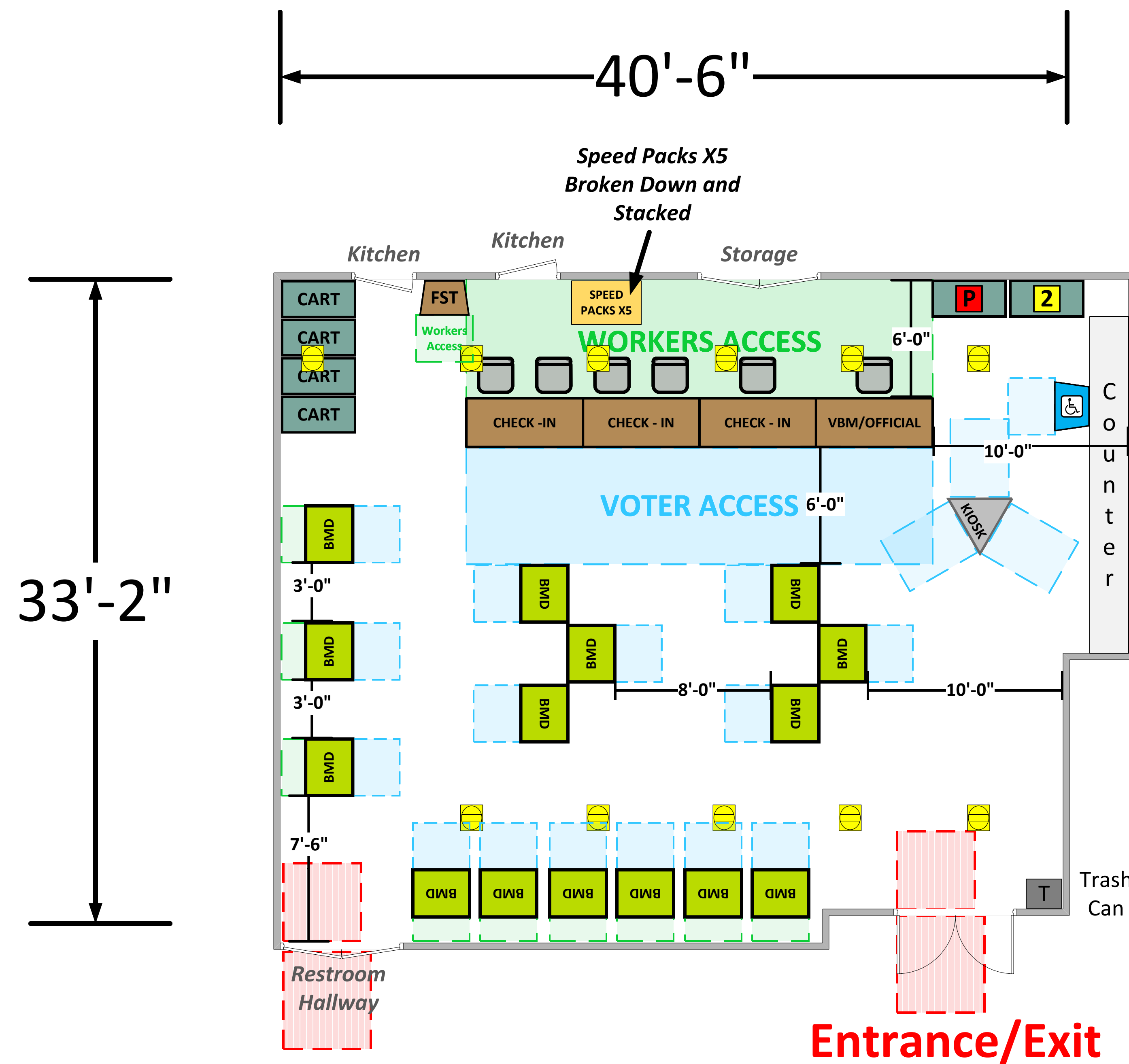


Meeting Room

(1,381 Usable Sq. Ft.)



LEGEND

| | | |
|-------------------|-----------------------------|-------------------|
| Room Size | Dimension: 40'4" x 33'2" | Sq. Ft: 1,337' |
| Number of BMDs | 15 | |
| POWER OUTLET | | |
| PROTRUDING OBJECT | | |
| Do Not Block Area | | |

TITLE

VCID 7408
South Whittier Library

Each chair at a CHECK-IN station equals one ePollbook

| | |
|---|----------------------------|
| Equipment By: Dustin Fuller | Date: 03/09/2026 |
| Skeleton Drawn By: David Chaparro | Date: 06/04/25 |
| Scale: 1/4" inches = 1' Ft. | |